

## Introduction

### ► Feature

- Line pull: 5,670 kg / 12,500 lb synthetic rope first layer  
Synthetic rope: 11 mm × 25 m (7/16"×82') synthetic rope SK-75  
Brake: Patented cone brake holds full load  
Clutch: Turn the T-handle for rapid rope payout  
Control: Handheld pendant switch powers the winch

### ► Unpacking

- Winch assembly..... 1 pc
- Control box..... 1 pc
- Remote control..... 1 pc
- Synthetic rope with clevis hook..... 1 pc
- Hawse fairlead..... 1 pc
- 1.8 m (6') 2 gauge battery lead..... 1 pc

### ► Read this manual carefully

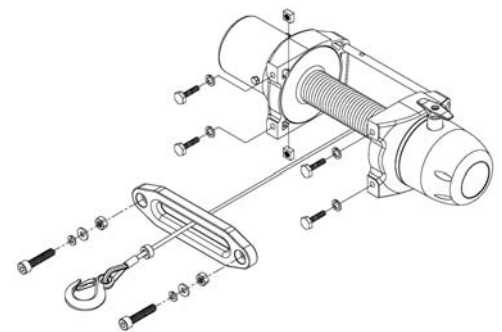
You should carefully read and understand this manual before operating it. Careless winch operation may result in personal injury hazards or property damage.

## Installation

Before using the winch, make sure all electrical components have no corrosion or damaged; the environment should be clear and dry.

### ► Winch and hawse fairlead mountings

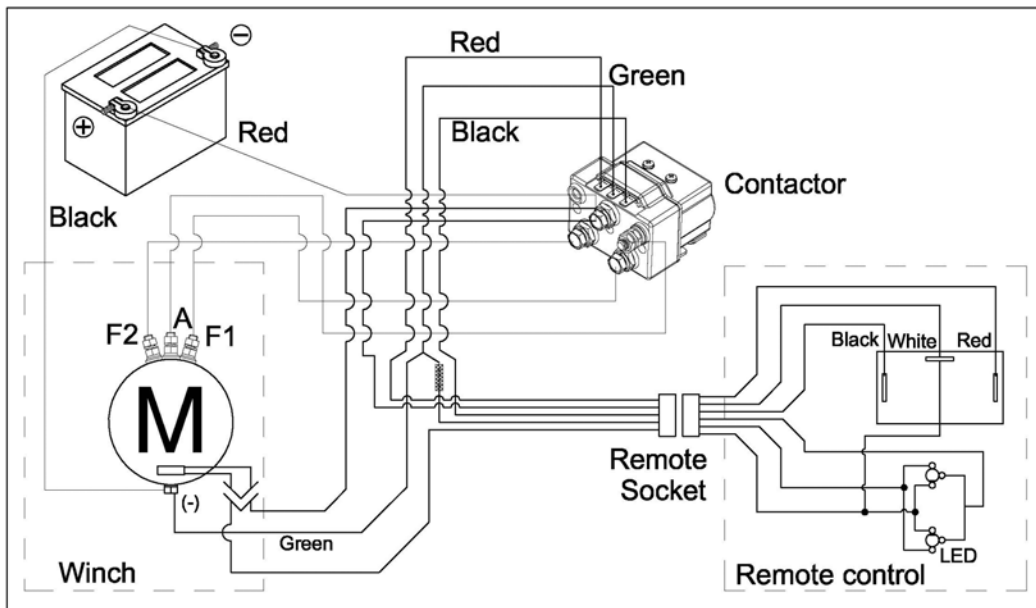
- It is very important that the winch will be mounted on a flat and hard surface of mounting channel in order to make sure the motor, drum and gearbox housing are aligned correctly.
- Hawse fairlead does not mount to the winch directly
- The synthetic rope shall be wound in an under-wound orientation only.



- Four (4) M10 x 1.50 pitch 8.8 grade with 44 N-m torque settings (maximum) high tensile steel bolts must be used in order to sustain the loads imposed on the winch mounting.
- Two (2) M12 x 1.75 pitch 8.8 grade with 76 N-m torque settings (maximum) high tensile steel bolts must be used for fastening the hawse fairlead into the mounting channel.
- Foot forward mounting only

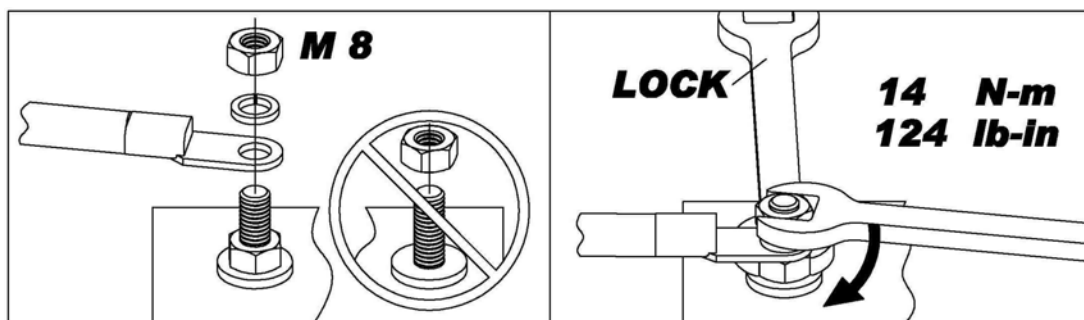
## ► Wiring Diagram

Attach the black lead firmly to the negative (-) battery terminal and red lead to the positive (+) battery terminal. The voltage drop for the winch motor must not exceed 10% of the nominal voltage of 12V DC.



## ► Nut fastening for motor & contactor

1. Holding the lower nut on the stub and fastening the upper nut clockwise.
2. The torque setting for nut is 14 N-m/124 lb-in.



## Warning

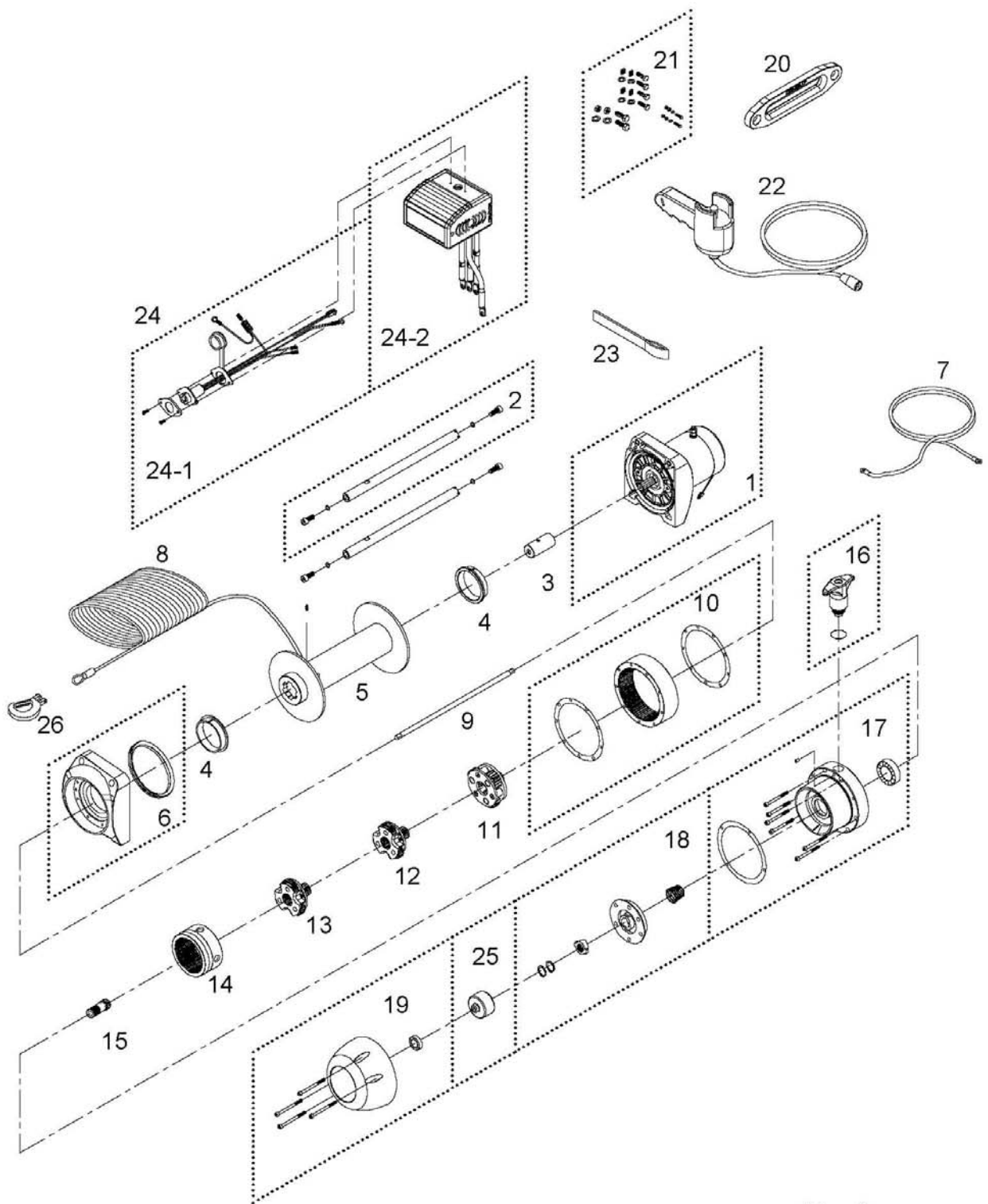
- The winch is not intended to be used in any manner for the movement or lifting of personnel.
- The rated line pull shown is based on the first layer of rope on the drum.
- The rope winding on the drum shall remain 10 wraps from the drum to support the rated load.

- Manufacturer is not responsible for the results of misuse, misapplication, faulty installation or abuse of synthetic rope in any way.

## **Parts List**

Item No.	Description	Part No.	Qty
1	Water proof motor w/housing 12V	882179	1
2	Tie bar kit	880349	2
3	Motor coupling	880005	1
4	Drum bushing	880006	2
5	Drum kit	881521	1
6	Gearbox support rack	881958	1
7	Grounding lead	880009	1
8	Synthetic rope	881649	1
9	1 <sup>st</sup> shaft	881523	1
10	3 <sup>rd</sup> ring gear kit	881959	1
11	3 <sup>rd</sup> stage carrier	881960	1
12	2 <sup>nd</sup> stage carrier	881961	1
13	1 <sup>st</sup> stage carrier	881962	1
14	1 <sup>st</sup> & 2 <sup>nd</sup> ring gear	881963	1
15	1 <sup>st</sup> pinion	881964	1
16	Clutch kit	881564	1
17	Gear box kit	880121	1
18	Cone brake disc kit	880122	1
19	Brake cover kit	880123	1
20	Hawse fairlead	881061	1
21	Mounting hardware	880024	1
22	Remote control	880126	1
23	Handsaver strap	880026	1
24	Control box 12V	881164	1
24-1	Remote socket kit 12V	881373	1
24-2	Control pack 12V	881400	1
25	Brake clutch base	881100	1
26	Clevis hook	882024	1

# Winch Assembly



Ver:4